

UX1000

Underground Core Drilling Rigs



Partner of exploration drilling solutions

Specifications

Drill depth capacity

BQ.....1000 m
 NQ.....760 m
 HQ.....520 m

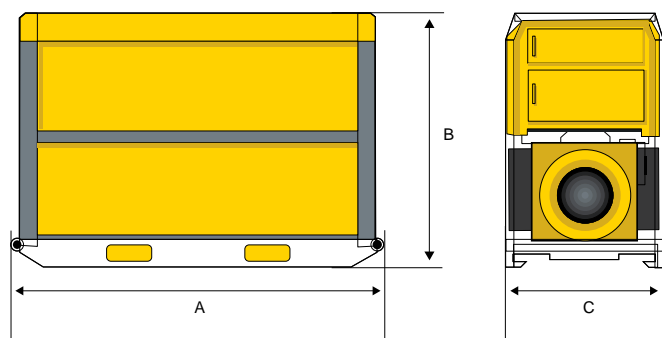
*capacity based on vertical drilling and depends on down hole supplies, ground conditions, drilling techniques

Power units

There are two different power units available, one electric and one diesel version.

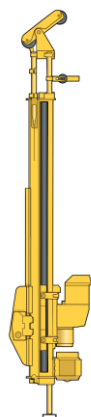
power rating88KW/2300RPM (diesel)
 75KW/1450RPM (electric)

Main pump max flow.....160 l/m
 Main pump max pressure.....300 Bar
 Service pump max flow.....50 l/m (diesel), 40.5 l/m (electric)
 Service pump max pressure....300 Bar
 Weight980Kg
 AxBxC2000x810x1030 mm (diesel)
 1845x790x1250 mm (electric)



Feed frame

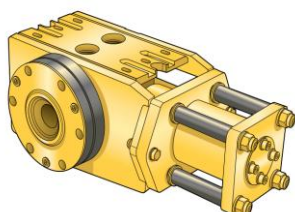
Feed length 1800mm, hydraulic cylinder.
 Feed length1800 (mm)
 Feed frame length2900 (mm)
 Extension mast length..... 2000 (mm)
 Feed force89 (kN)
 Pull force89 (kN)
 Feed speed0.9 (m/s)



Rod holder

The rod holder is hydraulically opened and closed by gas pressure. In case of loss of hydraulic pressure the rod holder closes instantly. The gas pressure can be conveniently monitored.

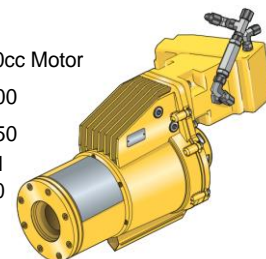
Max rod size.....89mm
 Bore (without jaws)102mm
 Bore (without covers)170mm
 Axial holding force.....45kN
 Axial holding force (TC).....90kN



Rotation unit

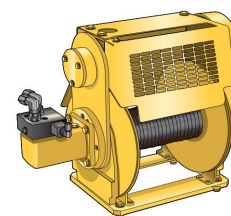
The rotation unit is available in B-H. The rotation unit consists of a hydraulic motor, a sealed gear box, a hollow spindle and a patented hydraulic chuck. The chuck grips the rod by hydraulic pressure, which is adjustable.

	110cc Motor	160cc Motor
Max rotation (rpm)	1400	1200
Max torque (Nm)	1275	1850
Spindle inner diameter (mm)	101	101
Chuck axial holding force (kN)	150	150



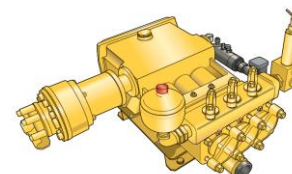
Wireline hoist

Capacity1000m, 4.75mm
 Pull min3600 N (full drum)
 Pull max9700 N (empty drum)
 Line speed min1.8 m/s (empty drum)
 Line speed max4.8 m/s (full drum)



Flush pump (alternatives)

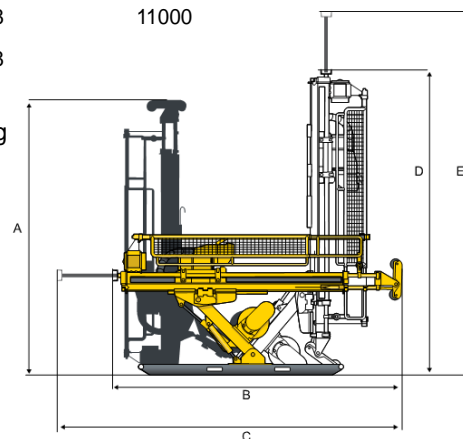
T80H80 l/m, 50 Bar
 T140H140 l/m, 70 Bar



Measurements & weights

	working (mm)	transport(mm)
A	3598	3800
B	3598	2100
C	4488	2700
D	3588	11000
E	4478	

Total weight 2100Kg





Sinocoredrill Group Co., Limited
ADD: No.1 Yangming Development Zone, Yangming
Zhonglu, Wuxi, China
Tel: +86-510-82723272
Fax: +86-510-82752846
Email: Sales@sinocoredrill.com
Website: www.sinocoredrill.com

Partner of exploration drilling solutions